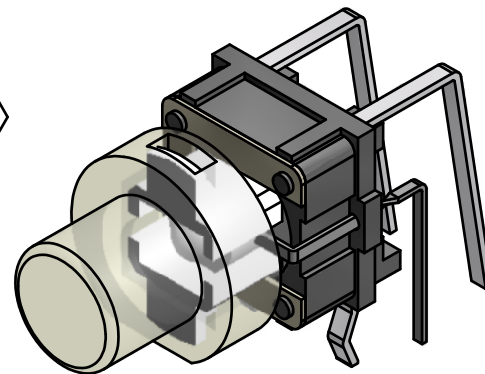
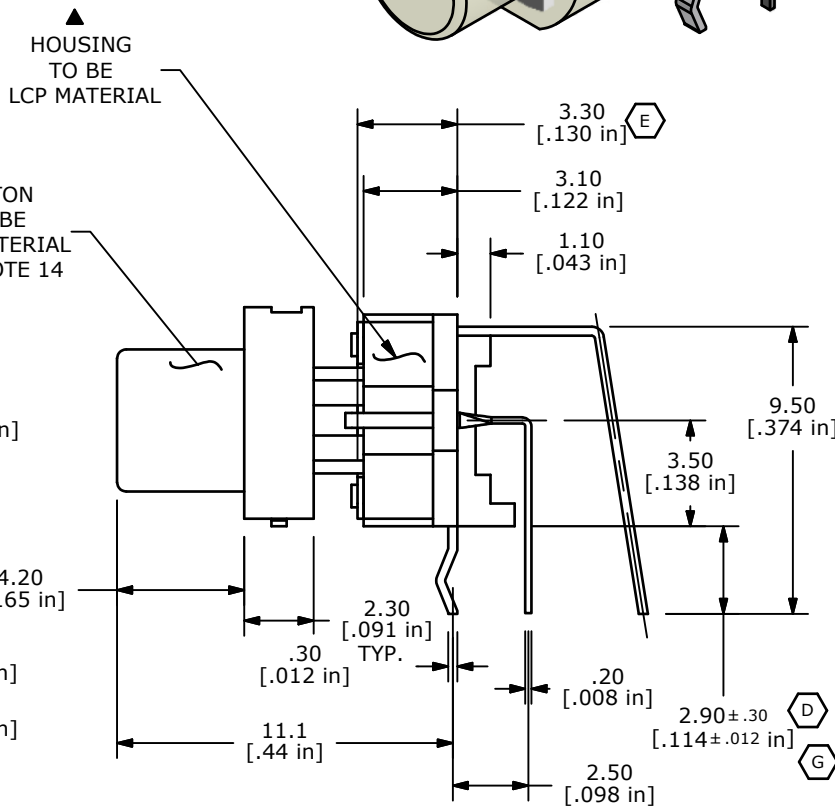
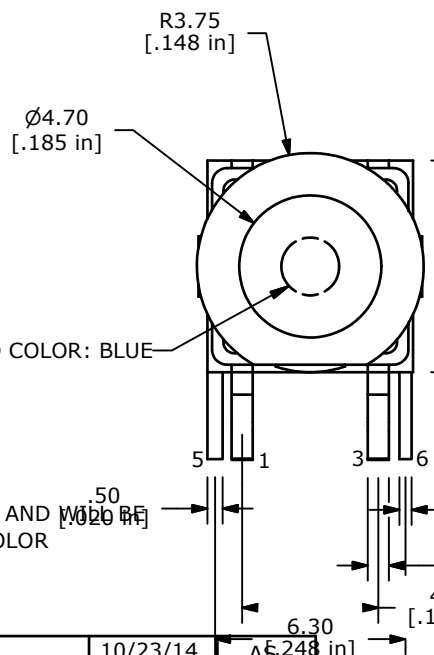


LED SPECS	UNITS	BLUE
FORWARD CURRENT	mA	20 TYP.
FORWARD VOLTAGE	V	2.9 TYP. - 4.0 MAX.
LUMINOUS INTENSITY	MCD	150 TYP.



- NOTES:
- ALL DIMENSIONS IN MM [INCH]
 - GENERAL TOLERANCE: X.X=±0.4
X.XX=±0.25
 - RATING: 12VDC @ 50mA
 - CONTACT RESISTANCE: 100mΩ MAX.
 - INSULATION RESISTANCE: 100MΩ MIN.
 - OPERATING FORCE: 160± 50gf
 - TRAVEL: 0.2± 0.1mm
 - OPERATING TEMPERATURE: -20°C TO 70°C LED COLOR: BLUE
 - OPERATING LIFE 500,000 CYCLES
 - LED COLOR: BLUE
 - ▲ DENOTES CRITICAL PARAMETER
 - 2002/95/EC (ROHS) COMPLIANT
 - PACKAGE: 100 PIECES PER TRAY
 - BUTTON COLOR: BUTTON TO BE TRANSPARENT AND WATER CLEAR TO A POSSIBLE YELLOW TINT COLOR
 - PACKAGING: 100 PIECES PER TRAY



I	21659	ADDED NOTE 15	10/23/14	AS
H	21655	UPDATED NOTES	10/22/14	AS
G	20959	2.90±.30 WAS 3.10±.10	1/9/13	EBP
F	20821	BUTTON COLOR	10/12/12	EBP
E	19956	CORRECT NOTES / LED CHART	05/19/11	BMA
D	19668	DIMENSION CHANGED was 3.65	2/8/11	BGL
C	19361	NEW RELEASE	11/04/10	BMA
REV	PCR NO	DESCRIPTION	DATE	BY



TITLE TL1260BQSCLR

SCALE	DATE	DR	DWG	REV
4:1	10/15/2010	BLR	B200017	I

THE INFORMATION CONTAINED IN THIS DOCUMENT IS PROPRIETARY TO E-SWITCH AND IS NOT TO BE COPIED OR TRANSFERRED